

# XNP-6320RH

2MP 32x/25x Network IR PTZ Camera

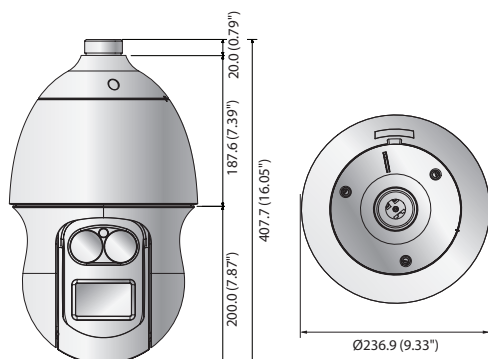


## Key Features

- Max. 2megapixel (1920 x 1080) resolution
- 4.44 ~ 142.6mm (Optical 32x) lens
- Max. IR viewable length : 200m (656ft)
- Day & Night (ICR), WDR (150dB), DIS (Built-in gyro sensor)
- Intelligent Video / Audio Analytics, Shock detection
- Azimuth display (Cardinal & intermediate directions)
- Multiple streaming, WiseStream II support
- H.265, H.264, MJPEG codec support
- MicroSD / SDHC / SDXC memory 2 slots (Up to 512 GB)
- IP66, IK10

## Dimensions

Unit : mm (inch)



## Accessories (Optional)



**XNP-6320RH**

|                             |  |
|-----------------------------|--|
| <b>VIDEO</b>                |  |
| Imaging Device              | 1/2.8" 2MP CMOS  |
| Effective Pixels            | 1944(H) x 1212(V)  |
| Min. Illumination           | Color : 0.05Lux (F1.6, 1/30sec)<br>BW : 0Lux (IR LED On)   |
| Video Out                   | CVBS : 1.0 Vp-p / 75Ω composite, 720 x 480(N), 720 x 576(P) for installation   |
| <b>LENS</b>                 |  |
| Focal Length (Zoom Ratio)   | 4.44~142.6mm (32x) zoom  |
| Max. Aperture Ratio         | F1.6 (Wide)~F4.4 (Tele)  |
| Angular Field of View       | H : 61.8°(Wide)~2.19°(Tele) /<br>V : 36.2°(Wide)~1.24°(Tele)   |
| Min. Object Distance        | Wide : 1.5m (4.92ft), Tele : 2m (6.56ft)   |
| Focus Control               | Oneshot AF   |
| Lens Type                   | DC auto iris   |
| <b>PAN / TILT / ROTATE</b>  |  |
| Pan Range                   | 360° Endless   |
| Pan Speed                   | Preset : 400°/sec, Manual : 0.024°/sec~250°/sec  |
| Tilt Range                  | 95° (-5°~90°)  |
| Tilt Speed                  | Preset : 250°/sec, Manual : 0.024°/sec~250°/sec  |
| Sequence                    | Preset (300ea), Swing, Group (6ea), Trace, Tour, Auto Run, Schedule  |
| Preset Accuracy             | ±0.2°  |
| Azimuth                     | Support  |
| Auto Tracking               | Support  |
| <b>OPERATIONAL</b>          |  |
| IR Viewable Length          | 200m (656.17ft)  |
| Camera Title                | Displayed up to 85 characters  |
| Day & Night                 | Auto (ICR)   |
| Backlight Compensation      | BLC, HLC, WDR, SSSDR   |
| Wide Dynamic Range          | 150dB  |
| Digital Noise Reduction     | SSNR V   |
| Digital Image Stabilization | Support (built-in gyro sensor)   |
| Defog                       | Support  |
| Motion Detection            | 8ea, 8point polygonal zones  |
| Privacy Masking             | 32ea, rectangular Support<br>- Color : Grey / Green / Red / Blue / Black / White<br>- Mosaic   |
| Gain Control                | Low / Middle / High  |
| White Balance               | ATW / AWC / Manual / Indoor / Outdoor  |
| Electronic Shutter Speed    | Minimum / Maximum / Anti flicker (2~1/12,000sec)   |
| Video Rotation              | Flip, Mirror   |
| Analytics                   | Directional detection, Fog detection, Face detection, Motion detection, Appear/Disappear, Enter/Exit, Loitering, Tampering, Virtual line, Audio detection, Sound classification, Shock detection |
| Serial Interface            | RS-485 (Samsung-T, Pelco-D/P, Panasonic, Bosch, AD, GE, Vicon, Honeywell)  |
| Alarm I / O                 | Input 4ea / Output 1 ea  |
| Alarm Triggers              | Analytics, Network disconnect, Alarm input   |
| Alarm Events                | File upload via FTP and e-mail, Notification via e-mail, SD/SDHC/SDXC or NAS recording at event triggers, Alarm output, PTZ Preset   |
| Audio In                    | Selectable (mic in/line in)<br>Supply voltage : 2.5VDC (4mA), Input impedance : 2K Ohm   |
| Audio out                   | Line out, Max.output level : 1Vrms   |

**XNP-6320RH**

| <b>NETWORK</b>                    |  |
|-----------------------------------|--|
| Ethernet                          | RJ-45 (10/100BASE-T), SFP (Optional)   |
| Video Compression                 | H.265 / H.264 (MPEG-4 Part 10 / AVC) : Main / Baseline / High, Motion JPEG   |
| Resolution                        | 1920 x 1080, 1280 x 1024, 1280 x 960, 1280 x 720, 1024 x 768, 800 x 600, 800 x 448, 720 x 576, 720 x 480, 640 x 480, 640 x 360, 320 x 240  |
| Max. Framerate                    | H.265/H.264 : Max. 60fps/50fps (60Hz/50Hz)<br>MJPEG : Max. 30fps/25fps (60Hz/50Hz)   |
| Smart Codec                       | Manual (5ea area), WiseStreamII  |
| Video Quality Adjustment          | H.264/H.265 : Target bitrate level control<br>MJPEG : Target bitrate level control   |
| Bitrate Control                   | H.264/H.265 : CBR or VBR<br>MJPEG : VBR  |
| Streaming                         | Unicast (20 users) / Multicast (128 user)<br>Multiple streaming (Up to 10 profiles)  |
| Audio Compression                 | G.711 u-law /G.726 Selectable<br>G.726(ADPCM) 8KHz, G.711 8KHz<br>G.726 : 16Kbps, 24Kbps, 32Kbps, 40Kbps<br>AAC-LC : 48Kbps at 16KHz   |
| Protocol                          | IPv4, IPv6, TCP/IP, UDP/IP, RTP(UDP), RTP(TCP), RTCP,RTSP, NTP, HTTP, HTTPS, SSL/TLS, DHCP, FTP, SMTP, ICMP, IGMP, SNMPv1/v2c/v3(MIB-2), ARP, DNS, DDNS, QoS, PIM-SM, UPnP, Bonjour, LLDP, SRTSP                         |
| Security                          | HTTPS (SSL) login authentication, Digest login authentication, IP address filtering, User access log, 802.1X authentication (EAP-TLS, EAP-LEAP)  |
| Edge Storage                      | Micro SD/SDHC/SDXC 2slot 512GB   |
| Application Programming Interface | ONVIF Profile S/G/T<br>SUNAPI (HTTP API)<br>Wisenet open platform  |
| Webpage Language                  | English, Korean, Chinese, French, Italian, Spanish, German, Japanese, Russian, Swedish, Portuguese, Czech, Polish, Turkish, Dutch, Hungarian, Greek  |
| Web Viewer                        | Supported OS : Windows 7, 8.1, 10, Mac OS X 10.10, 10.11, 10.12<br>Recommended Browser : Google Chrome<br>Supported Browser : MS Explorer11, MS Edge, Mozilla Firefox (Windows 64bit only), Apple Safari (Mac OS X only) |
| Memory                            | 1024MB RAM, 256MB Flash  |
| <b>ENVIRONMENTAL</b>              |  |
| Operating Temperature / Humidity  | 24VAC : -50°C~+55°C (-58°F ~ +131°F) / Less than 90% RH<br>HPoE : -40°C~+55°C (-22°F ~ +131°F) / Less than 90% RH<br>* Start up should be done at above -35°C  |
| Storage Temperature / Humidity    | -50°C~+60°C (-58°F~+140°F) / Less than 90% RH  |
| Certification                     | IP66, IK10   |
| <b>ELECTRICAL</b>                 |  |
| Input Voltage                     | 24VAC, HPoE (IEEE802.3bt, Class7)  |
| Power Consumption                 | 24VAC : Max. 83W (typical : 30W)<br>HPoE : Max. 51W (typical : 30W)  |
| <b>MECHANICAL</b>                 |  |
| Color / Material                  | Body : Ivory / Plastic, Head : Black / Plastic   |
| Product dimensions / weight       | Ø236.9x407.7mm (9.33x16.05"), 6.8Kg (14.99 lb)   |
| Hanging mount(Dome)               | SBP-303HF(SFP)   |

\* The latest product information / specification can be found at [hanwha-security.com](http://hanwha-security.com)

\* Design and specifications are subject to change without notice.

\* Wisenet is the proprietary brand of **Hanwha Techwin**.