

XNO-8020R/8030R/8040R

5M Network IR Bullet Camera

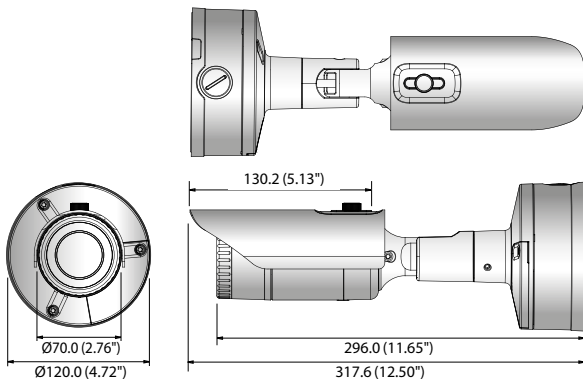


Key Features

- Max. 5 megapixel (2560 x 1920) resolution
- Built-in 3.7mm fixed lens (XNO-8020R)
4.6mm fixed lens (XNO-8030R)
7mm fixed lens (XNO-8040R)
- Max. 30fps@all resolutions (H.265/H.264)
- H.265, H.264, MJPEG codec supported, Multiple streaming
- Day & Night (ICR), WDR (120dB), Defog
- Loitering, Directional detection, Fog detection, Audio detection, Digital auto tracking, Sound classification, Heatmap, People counting, Queue management, Tampering
- Motion detection, Handover
- SD/SDHC/SDXC memory slot (Max. 512GB), PoE / 12V DC
- Hallway view, WiseStream II support
- IR viewable length 30m, IP67/IP66, NEMA 4X, IK10
- LDC support (Lens Distortion Correction)

Dimensions

Unit: mm (inch)



Accessories (Optional)



SBP-302PM

| XNO-8020R/8030R/8040R | |
|----------------------------------------|--------------------------------------------------------------------------------------------------------------------------------------------------------------------------------------------------------------------------------------------------------------------|
| VIDEO | |
| Imaging Device | 1/1.8" 6M CMOS |
| Total Pixels | 3,096(H) x 2,094(V) |
| Effective Pixels | 2,616(H) x 1,976(V) |
| Scanning System | Progressive Scan |
| Min. Illumination | Color: 0.16Lux (F1.6, 1/30sec), B/W: 0Lux (IR LED on) |
| S/N Ratio | 50dB |
| Video Out | CVBS: 1.0Vpp / 75Ω composite, 720 x 480(N), 720 x 576(P), for installation USB: micro USB type B, 1280 x 720 for installation |
| LENS | |
| Focal Length (Zoom Ratio) | 3.7mm fixed (XNO-8020R), 4.6mm fixed (XNO-8030R), 7mm fixed (XNO-8040R) |
| Max. Aperture Ratio | F1.6 |
| Angular Field of View | H: 97.5° / V: 71.9° / D: 126.2° (XNO-8020R), H: 77.9° / V: 57.9° / D: 98.7° (XNO-8030R), H: 50.7° / V: 37.8° / D: 63.8° (XNO-8040R) |
| Min. Object Distance | 0.4m (1.31ft) |
| Focus Control | Manual |
| Lens / Mount Type | Fixed / Board-in type |
| OPERATIONAL | |
| IR Viewable Length | 30m (98.43ft) Off / On (Displayed up to 85 characters) |
| Camera Title | - W/W: English / Numeric / Special characters - China: English / Numeric / Special / Chinese characters - Common: Multi-line (Max. 5), Color (Grey / Green / Red / Blue / Black / White), Transparency, Auto scale by resolution |
| Day & Night | Auto (ICR) / Color / B/W / External / Schedule |
| Backlight Compensation | Off / BLC / HLC (Masking / Dimming), WDR |
| Wide Dynamic Range | 120dB |
| Contrast Enhancement | SSDR (Off / On) |
| Digital Noise Reduction | SSNRV (2D+3D noise filter) (Off / On) |
| Digital Image Stabilization | Off / On |
| Defog | Off / Auto (Input from fog detection) / Manual |
| Motion Detection | Off / On (8ea, 8point polygonal zones), Handover |
| Privacy Masking | Off / On (32ea, Polygonal) - Color: Grey / Green / Red / Blue / Black / White, Mosaic |
| Gain Control | Off / Low / Middle / High |
| White Balance | ATW / AWC / Manual / Indoor / Outdoor (Included mercury & Sodium) |
| Contrast | Level adjustment |
| LDC (Lens Distortion Correction) | Off / On (5 levels with min / max) |
| Electronic Shutter Speed | Minimum / Maximum / Anti flicker (2 ~ 1/12,000sec) |
| Digital PTZ | 24x, Digital PTZ (Preset, Group) |
| Flip / Mirror | Off / On, Hallway view: 90°/270° |
| Video & Audio Analytics | Tampering, Loitering, Directional detection, Defocus detection, Fog detection, Virtual line, Enter / Exit, (Dis)Appear, Audio detection, Face detection, Motion detection, Digital auto tracking, Sound classification, Heatmap, People counting, Queue management |
| Alarm I/O | Input 1ea / Output 1ea |
| Alarm Triggers | Alarm input, Motion detection, Video & Audio analytics, Network disconnect |
| Alarm Events | File upload via FTP, E-mail, Notification via E-mail, Local storage (SD/SDHC/SDXC) or NAS recording at event triggers, External output, DPTZ preset |
| Pixel Counter | Support |
| NETWORK | |
| Ethernet | RJ-45 (10/100BASE-T) |
| Video Compression Format | H.265 / H.264 (MPEG-4 part 10/AVC) - Main / Baseline / High, MJPEG |
| Resolution | 2560 x 1920, 2560 x 1440, 1920 x 1080, 1600 x 1200, 1280 x 1024, 1280 x 960, 1280 x 720, 1024 x 768, 800 x 600, 800 x 448, 720 x 576, 720 x 480, 640 x 480, 640 x 360, 320 x 240 |
| Max. Framerate | H.265 / H.264: Max. 30fps at all resolutions, MJPEG: Max. 30fps |
| Smart Codec | Manual mode (Area-based: Sea) |
| WiseStream II | Support |
| Video Quality Adjustment | H.265 / H.264: Target bitrate level control, MJPEG: Target bitrate level control |
| Bitrate Control Method | H.265 / H.264: CBR or VBR, MJPEG: VBR |
| Streaming Capability | Multiple streaming (Up to 10 profiles) Selectable (Mic in / Line in), Supply voltage: 2.5V DC (4mA), |
| Audio In | Input impedance: approx. 2K Ohm |
| Audio Out | Line out, Max output level: 1Vrms |
| Audio Compression Format | G.711 u-law/G.726 selectable, G.726 (ADPCM) 8KHz, G.711 8KHz G.726: 16Kbps, 24Kbps, 32Kbps, 40Kbps, AAC-LC: 48Kbps at 8/16/32/48KHz |
| Audio Communication | Bi-directional (2-way) |
| IP | IPv4, IPv6 |
| Protocol | TCP/IP, UDP/IP, RTP (UDP), RTP (TCP), RTCP, RTSP, NTP, HTTP, HTTPS, SSL/TLS, DHCP, PPPoE, FTP, SMTP, ICMP, IGMP, SNMPv1/v2c/v3 (MIB-2), ARP, DNS, DDNS, QoS, PIM-SM, UPnP, Bonjour HTTPS (SSL) login authentication, Digest login authentication |
| Security | IP address filtering, User access log, 802.1X authentication (EAP-TLS, EAP-LEAP) |
| Streaming Method | Unicast / Multicast |
| Max. User Access | 20 users at unicast mode |
| Edge Storage | SD/SDHC/SDXC 2slot (Up to 512GB) - Continuous recording (1st slot to 2nd slot) NAS (Network Attached Storage), Local PC for instant recording |
| Application Programming Interface | ONVIF profile S/G, SUNAPI (HTTP API), Wisenet Open Platform |
| Webpage Language | English, Korean, Chinese, French, Italian, Spanish, German, Japanese, Russian, Swedish, Portuguese, Czech, Polish, Turkish, Dutch, Hungarian, Greek Supported OS: Windows 7, 8.1, 10, Mac OS X 10.10, 10.11, 10.12 Non-plugin Webviewer |
| Web Viewer | - Supported Browser: Google Chrome 54, MS Edge 38, Mozilla Firefox 49 (Window 64bit only), Apple Safari 9 * Mac OS X only Plug-in Webviewer - Supported Browser: MS Explore 11, Apple Safari 9 * Mac OS X only |
| Central Management Software | SmartViewer, SSM |
| ENVIRONMENTAL | |
| Operating Temperature / Humidity | -30°C ~ +55°C (-22°F ~ +131°F) / Less than 90% RH * Start up should be done at above -20°C (-4°F) |
| Storage Temperature / Humidity | -50°C ~ +60°C (-58°F ~ +140°F) / Less than 90% RH |
| Ingress Protection / Vandal Resistance | IP67, IP66, NEMA 4X / IK10 |
| ELECTRICAL | |
| Input Voltage / Current | 12V DC ±10%, PoE (IEEE802.3af) |
| Power Consumption | Max. 9.3W (12VDC), Max. 10.3W (PoE) |
| MECHANICAL | |
| Color / Material | Dark gray / Aluminum |
| Dimensions (WxH) | Ø70.0 x 296.0mm (Ø24.72" x 11.65") (Without sunshield) |
| Weight | 1.22Kg (2.69lb) |

* The latest product information / specification can be found at hanwha-security.eu
* Design and specifications are subject to change without notice.