



*Lens not included

TNB-9000

Benefits

- Perfect for Video Surveillance of large spaces such as Sport Stadiums, Airports, Ports
- Increased area of coverage with reduced number of cameras required
- False alarm reduction through Wisenet's deep learning based algorithm
- Object classification with the ability to discard irrelevant objects eg dog, plastic bag etc

Key Features

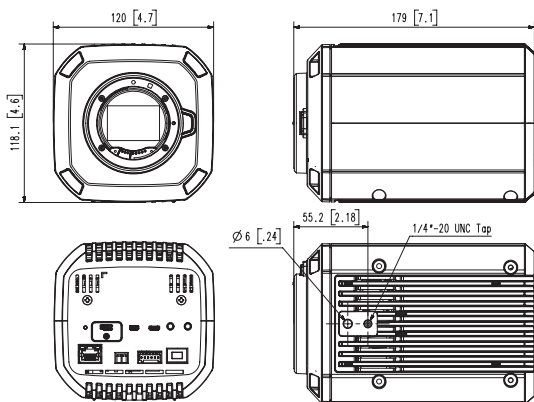
- 43.3mm full-frame CMOS Image Sensor
- 8K(7680x4320) @ Max.15fps
- Compatible with Canon EF mount Lens
- HDMI (1080p 30fps) Video Output
- H.265/H.264 : Main/High, MJPEG
- Single Micro SD slot (up to 256GB)
- WiseStreamII support
- RJ-45, SFP slot(100/1000Mbps)
- HPoE(IEEE802.3bt, Class5), 12VDC

TNB-9000

TNB-9000	
VIDEO	
Imaging Device	43.3mm Full-frame CMOS
Effective Pixels	7680(H)x4320(V)
Min. Illumination	Color : 0.015Lux(F1.4, 1/30sec) B/W : 0.0015Lux(F1.4, 1/30sec)
Video Out	HDMI: 1080p@30fps
LENS	
Angular Field of View	Canon 24mm f1.4L, Auto-Iris (EF 24mm f/1.4L II USM) : Horizontal field of view: 8K 57.4° Canon 35mm f1.4L, Auto-Iris (EF 35mm f/1.4L II USM) : Horizontal field of view: 8K 42.6° Canon 50mm f1.4, Auto-Iris (EF 50mm f/1.4 USM) : Horizontal field of view: 8K 30.9° Canon 85mm f1.2L, Auto-Iris (EF 85mm f/1.2L II USM) : Horizontal field of view: 8K 19.1° Canon 100mm f2.0, Auto-Iris (EF 100mm f/2 USM) : Horizontal field of view: 8K 16.0° Canon 70-200mm f2.8L, Auto-Iris, Vari Focal (EF 70?200mm f/2.8L USM) : Horizontal field of view: 8K 22.8° ~ 8.0° * When using Canon 70-200mm f2.8L, Auto-Iris, Vari Focal (EF 70?200mm f/2.8L USM) mount lens, housing accessory components must be used.
Focus Control	Autofocus
Lens Type	Canon EF mount Lens
Mount Type	Canon EF mount
Optional Lens	Canon 24mm f1.4L, Auto-Iris (EF 24mm f/1.4L II USM) Canon 35mm f1.4L, Auto-Iris (EF 35mm f/1.4L II USM) Canon 50mm f1.4, Auto-Iris (EF 50mm f/1.4 USM) Canon 85mm f1.2L, Auto-Iris (EF 85mm f/1.2L II USM) Canon 100mm f2.0, Auto-Iris (EF 100mm f/2 USM) Canon 70-200mm f2.8L, Auto-Iris, Vari Focal (EF 70?200mm f/2.8L USM)
OPERATIONAL	
Camera Title	Displayed up to 75 characters
Day & Night	Auto(ICR)
Backlight Compensation	BLC, DWDR
Digital Noise Reduction	SSNRV
Motion Detection	8ea, 8point polygonal zones (in 8K resolution only)
Privacy Masking	6ea, Rectangular - Color: Grey/Green/Red/Blue/Black/White
Gain Control	Low / Middle / High
White Balance	ATW / AWC / Manual / Indoor / Outdoor
Electronic Shutter Speed	Minimum / Maximum / Anti flicker (1/5 ~ 1/12,000sec)
Analytics	- Classified object type : Person/Face/Vehicle/License plate with attributes, BestShot per object - Analytics events based on AI engine : object detection, Directional detection, Enter/Exit, Loitering, Virtual line - Analytics events : Defocus detection, Motion detection, Appear/Disappear, Tampering, Audio detection, Sound classification
Serial Interface	RS-485(Samsung-T, Pelco-D/P)
Alarm I/O	Input 1ea / Output 1ea
Alarm Triggers	Analytics, Network disconnect, Alarm input
Alarm Events	File upload via FTP and e-mail Notification via e-mail SD/SDHC/SDXC or NAS recording at event triggers Alarm output Handover
Audio In	Selectable(mic in/line in)
Audio Out	Line out, Max.output level: 1Vrms

Dimensions

Unit:mm(inch)



TNB-9000	
NETWORK	
Ethernet	RJ-45(10/100/1000 BASE-T), SFP slot(100/1000Mbps)
Video Compression	H.265/H.264: Main/High, MJPEG
Resolution	7680x4320, 7360x4128, 6016x3384, 6016x4008, 5472x3648, 4768x3184, 4608x2592, 3840x2160, 1920x1080, 1280x1024, 1280x960, 1280x720, 1024x768, 800x600, 800x448, 720x576, 720x480, 640x480, 640x360
Max. Framerate	H.265/H.264: 8K @ Max. 15fps (Mode 0) : Available in Dec. 2019 H.265/H.264: 24MP @ Max. 20fps (Mode 1) : Available in Mar. 2020 H.265/H.264: 15MP @ Max. 30fps (Mode 2) : Available in Mar. 2020 H.265/H.264: 4K @ Max. 60fps (Mode 3) : Available in Mar. 2020
Smart Codec	WiseStreamII
Bitrate Control	H.264/H.265: CBR or VBR MJPEG: VBR
Streaming	Unicast(10 users) / Multicast Multiple streaming(Up to 3 profiles)
Audio Compression	G.711 u-law /G.726 Selectable G.726(ADPCM) 8KHz, G.711 8KHz G.726: 16Kbps, 24Kbps, 32Kbps, 40Kbps AAC-LC: 48Kbps at 16KHz
Protocol	IPv4, IPv6, TCP/IP, UDP/IP, RTP(UDP), RTP(TCP), RTSP, RTSP, NTP, HTTP, HTTPS, SSL/TLS, DHCP, FTP, SMTP, ICMP, IGMP, SNMPv1/v2c/v3(MIB-2), ARP, DNS, DDNS, QoS, UPnP, Bonjour, LLDP
Security	HTTPS(SSL) Login Authentication Digest Login Authentication IP Address Filtering User access log 802.1X Authentication(EAP-TLS, EAP-LEAP) Device Certificate(Hanwha Techwin Root CA)
Edge Storage	Micro SD/SDHC/SDXC 1slot 256MB
Application Programming Interface	ONVIF Profile S/G/T SUNAPI(HTTP API)
Web Viewer	Supported OS: Windows 8.1, 10, Mac OS X 10.10, 10.11, 10.12 Recommended Browser: Google Chrome Supported Browser: MS Explore11, MS Edge, Mozilla Firefox(Window 64bit only), Apple Safari(Mac OS X only)
Memory	4096MB RAM, 512MB Flash
ENVIRONMENTAL	
Operating Temperature / Humidity	0°C ~ +45°C(32°F ~ +122°F) / Less than 90% RH
Storage Temperature / Humidity	-40°C ~ +65°C(-40°F ~ +149°F) / Less than 90% RH
Certification	EMC EN 50130-4, EN 55032 Class A, EN 61000-6-3, EN 61000-3-2, EN 61000-3-3, EN 61000-6-1, FCC Part 15 Subpart B Class A, IC ICES-003 Class A, Safety UL 60950-1
ELECTRICAL	
Input Voltage	HPoE(IEEE802.3bt, Class5), 12VDC
Power Consumption	PoE: Max 30W, typical 20W 12VDC: Max 26W, typical 18W
MECHANICAL	
Color / Material	Black / Aluminum
Product dimensions / weight	120(W)x118.1(H)x179(D)mm, 2.1Kg(4.55 lb)

* The latest product information / specification can be found at hanwha-security.com

* Design and specifications are subject to change without notice.

* Wisenet is the proprietary brand of Hanwha Techwin.