



## PNM-9085RQZ

20MP IR PTRZ Multi-directional Camera

### Benefits

- Complete 360° view
- Capture video in low light conditions with a 30m Infra Red (IR) Viewable Length
- Perfect solution for Commercial, Hospital, Schools, Hospitals and Warehouses
- Easy to Install
- No need to set lens position by hand
- Audio/Alarm support

### Key Features

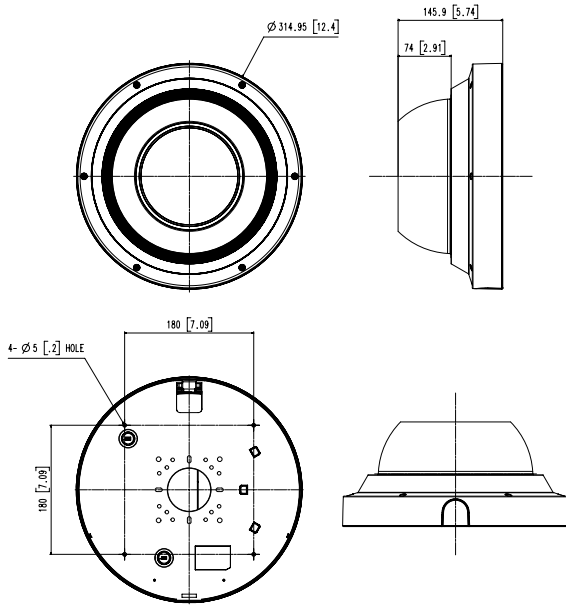
- 5MP x 4ch multi-directional camera
- Hallway view support with CH1/CH2/CH3/CH4
- Max. 30fps@5MP(H.265, H.264)
- 4.13~9.4mm(2.3x) motorised varifocal lens
- IR viewable length : 30m
- H.265, H.264, MJPEG codec, Multi-streaming
- Video analytics, WiseStreamII
- IP66, IK10, NEMA4X

### PNM-9085RQZ

PNM-9085RQZ	
<b>VIDEO</b>	
Imaging Device	1/1.8" 5MP CMOS: each CH
Effective Pixels	2616(H)x1976(V): each CH
Min. Illumination	Color: 0.11lux(F1.6,30 IRE) BW: 0Lux(IR LED on)
<b>LENS</b>	
Focal Length (Zoom Ratio)	4.13~9.4mm(2.3x)motorized varifocal
Max. Aperture Ratio	F1.92(Wide)~F2.67(Tele)
Angular Field of View	H: 87.58°(Wide)~37.34°(Tele) / V: 64.58°(Wide)~28.04°(Tele) / D: 112.46°(Wide)~46.85°(Tele)
Min. Object Distance	1.2m
Focus Control	Simple focus
<b>PAN / TILT / ROTATE</b>	
Pan / Tilt / Rotate Range	Remote adjustment (Max. 200cycles) 0~360° / 35~80° / 0~90°
<b>OPERATIONAL</b>	
IR Viewable Length	30m
Camera Title	Displayed up to 85 characters
Day & Night	Auto(ICR)
Backlight Compensation	BLC, HLC, WDR, SSSDR
Wide Dynamic Range	120dB
Digital Noise Reduction	SSNRV
Digital Image Stabilization	Support
Defog	Support
Motion Detection	8ea, 8point polygonal zones
Privacy Masking	32ea, polygonal zones - Color: Grey, Green, Red, Blue, Black, White - Mosaic
Gain Control	Low / Middle / High
White Balance	ATW / AWC / Manual / Indoor / Outdoor
LDC	Support
Electronic Shutter Speed	Minimum / Maximum / Anti flicker (2~1/12,000sec)
Video Rotation	Flip, Mirror, Hallway view(90°/270°)
Analytics	Defocus detection, Directional detection, Fog detection, Face detection, Motion detection, Appear/Disappear, Enter/Exit, Loitering, Tampering, Virtual line, Audio detection
Alarm I/O	Input 1ea / Output 1ea
Alarm Triggers	Analytics, Network disconnect, Alarm input
Alarm Events	File upload via FTP and e-mail Notification via e-mail SD/SDHC/SDXC or at event triggers Alarm output Handover
Audio In	Selectable(mic in/line in) Supply voltage: 2.5VDC(4mA), Input impedance: 2K Ohm
Audio Out	Line out, Max.output level: 1Vrms
<b>NETWORK</b>	
Ethernet	RJ-45(10/100/1000BASE-T)
Video Compression	H.265/H.264: Main/Baseline/High, MJPEG
Resolution	2560x1920, 2560x1440, 1920x1080, 1600x1200, 1280x1024, 1280x960, 1280x720, 1024x768, 800x600, 800x448, 720x576, 720x480, 640x480, 640x360, 320x240
Max. Framerate	H.265/H.264 : Max. 30fps/25fps(60Hz/50Hz) MJPEG: Max. 30fps/25fps(60Hz/50Hz)
Smart Codec	Manual(5ea area), WiseStreamII
Bitrate Control	H.264/H.265: CBR or VBR MJPEG: VBR
Streaming	Unicast(20 users) / Multicast Multiple streaming(Up to 10 profiles)

## Dimensions

Unit:mm(inch)



## PNM-9085RQZ

### NETWORK

Audio Compression	G.711 u-law /G.726 Selectable G.726(ADPCM) 8KHz, G.711 8KHz G.726: 16Kbps, 24Kbps, 32Kbps, 40Kbps AAC-LC: 48Kbps at 16KHz
Protocol	IPv4, IPv6, TCP/IP, UDP/IP, RTP(UDP), RTP(TCP), RTCP,RTSP, NTP, HTTP, HTTPS, SSL/TLS, DHCP, FTP, SMTP, ICMP, IGMP, SNMPv1/v2c/v3(MIB-2), ARP, DNS, DDNS, QoS, PIM-SM, UPnP, Bonjour, LLDP
Security	HTTPS(SSL) Login Authentication Digest Login Authentication IP Address Filtering User access log 802.1X Authentication(EAP-TLS, EAP-LEAP)
Edge Storage	Micro SD/SDHC/SDXC 4slot 256GB(Each CH)
Application Programming Interface	ONVIF Profile S/T SUNAPI(HTTP API) Wisenet open platform
Web Viewer	Supported OS: Windows 7, 8.1, 10, Mac OS X 10.13 Recommended Browser: Google Chrome Supported Browser: MS Explore11, MS Edge, Mozilla Firefox(Window 64bit only), Apple Safari(Mac OS X only)

Memory 5GB RAM, 1280MB Flash

### ENVIRONMENTAL

Operating Temperature / Humidity	-40°C~-+55°C(-40°F~+131°F) / Less than 90% RH
Storage Temperature / Humidity	-50°C~-+60°C(-58°F~+140°F) / Less than 90% RH
Certification	IP66, IK10, NEMA4X

### ELECTRICAL

Input Voltage	12VDC: Max. 42 W, Typical 32 W
Power Consumption	Max : 45W Typical : 33.7 W

### MECHANICAL

Color / Material	White / Aluminum
RAL Code	RAL9003
Product dimensions / weight	$\varnothing 315 \times 145.9 \text{mm}$ / 5.2kg

- \* The latest product information / specification can be found at [hanwha-security.com](http://hanwha-security.com)
- \* Design and specifications are subject to change without notice.
- \* Wisenet is the proprietary brand of Hanwha Techwin.