

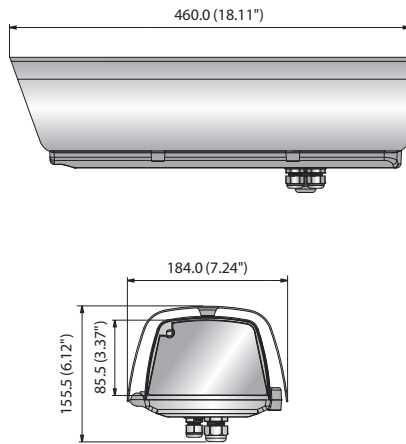
SHB-4300HP

Fixed Housings



Dimensions

Unit: mm (inch)



		SHB-4300HP
Open Type		Side open
Cable Entry		Nylon gland
Operating Temperature	Set	-30°C ~ +50°C (-22°F ~ +122°F)
	Heater	5°C ± 5°C on (PTC Heater 5 ~ 9W) 15°C ± 5°C off
	Blower	35°C ± 2°C on (1 x Fan : 2W) 30°C ± 2°C off
Defroster		Always on
Operating Humidity		0 ~ 90% RH
Materials		Aluminum
Ingress Protection		IP66
Dimensions (WxHxD)	External	184.0 × 127.0 × 460.0 mm (7.24" × 5" × 18.11")
	Internal	100.0 × 80.0 × 250.0 mm (3.94" × 3.15" × 9.84")
Weight		2.5Kg (5.51 lb) (without Bracket)
Input Voltage		PoE Power (IEEE802.3at)
Power Consumption		25W (including integral camera XNB-6000/8000)
Colour		Ivory
Applicable Model		Box cameras (Network / Analog)
Certification		CE (Class A)