

Clarius®



PRODUCT CODES

IM-8-IP Medium Clarius PLUS IP Infra-Red Illuminator 850nm

IM-9-IP Medium Clarius PLUS IP Infra-Red Illuminator 940nm

FEATURES

IR illuminator designed to provide dedicated lighting for IP cameras via PoE+ (power over ethernet)

Angle 10°, 30°, 60° & 95°

Web browser interface

Direct integration with VMS system

Elliptical beam profiles

IEEE02at compliant

Latest SMT **Dual Core®** LED technology

Distances up to 187m (614')

850nm or 940nm wavelengths

5 year warranty

IP66 weather proof rating

Built-in photocell IR on/off

Photocell following contact

Telemetry input for remote switching

Vibration sensor

CleanLITE® self cleaning lens coating technology

High quality anodised aluminium heatsink

Medium IP IR LED Illuminator

The **Clarius® Plus IP** is a high performance Infra-Red illuminator.

Incorporating the latest surface mount LED's with enhanced optical output and outstanding reliability, they deliver excellent night-time images.

The **Clarius® Plus IP** is a internet protocol connected illuminator with integrated web browser interface.

The **Clarius® Plus IP** range of illuminators includes a new interchangeable lens diffuser system; which allows the user to quickly and easily alter the angle of illumination. Elliptical beam profiles allow more light to be delivered where it is needed, allowing both longer distances and minimising light wastage. The system also helps to prevent overexposure of foreground objects.

As standard the illuminator includes interchangeable lensing to deliver 10° circular, 30°, 60° & 95° elliptical beam profiles.

Supported VMS Software

AXIS Communications
Milestone
Genetic
Mirasys
Wavestore
Network Optic
Bosch
SeeTec
Concept Pro HD-IP
Embsec
QNAP
Griffid
Kentima
Qulu
M2M VX Core
Hikvision
Control by Web

Supported cameras for direct control

AXIS Communications
LILIN
Hikvision
Dahua
Mobotix
Sony
Emitec
Bosch
Genie

Supported Home Automation Software

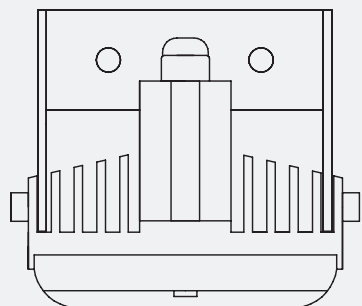
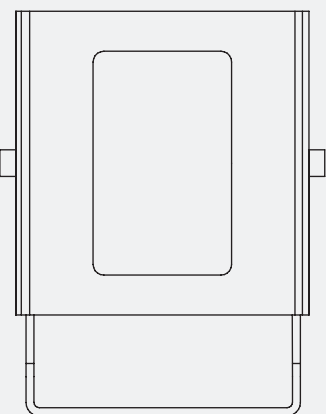
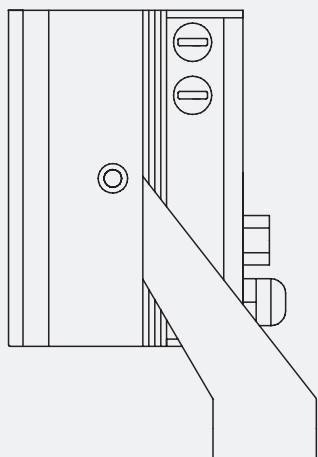
Control 4
RTI
Crestron
Lutron
URC
Rako

INTERCHANGEABLE DIFFUSER LENS



Product Code	Wavelength	Angle	Distance		FOV	
IM-8-IP	850nm	10° - Circular	187m	614'	33m	107'
		30° - Elliptical	94m	307'	50m	164'
		60° - Elliptical	60m	195'	69m	225'
		95° - Elliptical	30m	98'	65m	213'
IM-9-IP	940nm	10° - Circular	115m	376'	20m	66'
		30° - Elliptical	65m	213'	35m	114'
		60° - Elliptical	40m	131'	46m	152'
		95° - Elliptical	20m	66'	44m	143'

TECHNICAL SPECIFICATIONS



GENERAL

Electronics

High Efficiency Surface Mount High Power **Dual Core LEDs™** With Advanced Current Limited Integral Control Circuitry

Construction Front Window

Robust High Quality Aluminium Extrusion
Polycarbonate High Transmission Protective (Vandal Proof) IR Filter with CleanLITE® Technology

Finish Power Cable Interface Connector

Black Anodised
3m (9ft)
Photocell Following Contact & Remote Telemetry Input

Pressure Equalisation Vent Photocell Illumination

Prevents Thermal Expansion & Pressure Cycling
Software Adjustable 20 -70 Lux
Software Adjustable 10% - 100% with Low power and pulse modes

Vibration/Knock sensor Operating Temperature

Software adjustable sensitivity
-50° to 60°C (-58° to 140°F)

Weight

1.05Kg (2.3lbs)

Mount

Powder Coated Stainless Steel Wall Mount

Dimensions

111 x 110 x 78mm (4.49" x 4.33" x 3.07")

ELECTRICAL

High Power over Ethernet Consumption User Interface

IEEE802at Compliant, TCP/IP

26W

Web browser user interface. No software or installation needed

WAVELENGTH

Standard Optional

850nm (Semi Covert). Faint Red Glow Only
940nm (Covert). Minimal Visible Glow

CERTIFICATIONS

WEEE

Waste Electrical & Electronic Equipment European Directive 202/96/EC

Environmental
IEC/EN 60529

IP66

RoHS

Restriction Of Hazardous Substance European Directive 202/95/EC

IEC/EN 62262
EN 50130-5

IK09
(Alarm-environmental)

CE-EMC

EN 61547
EN 55015
EN 55032, Class B
EN 55024
EN 62493
EN 50130-4

(Lighting-Immunity)
(Lighting-Emission)
(IT-Emission)
(IT-Immunity)
(Lighting-EMF)
(Alarm-EMC)

N2580, EN 50581

(RoHS), REACH

USA
cULus

UL 2108
UL 8750
Class B

FCC

CE-LVD

EN 60598-1
EN 60598-2-1
EN 62368-1 / EN 60950-22

(Luminaires-General)
(Luminaires)

AUS

RCM (AS/NZS
CISPR 22 Class B)

Safety

EN 62471

(LED safety)



www.qjd.co.uk | info@qjd.co.uk | +44 (0) 1706 363 998

Unit 2 Birch Business Park, Whittle Lane, Heywood, Lancashire, OL10 2SX